

WIDE PRINTING/SMALL ROLL REWINDING/ INSPECTING MACHINE

- REF-60R SERIES



- REF-200R Series



Application Materials

- Inspect the defectives of the printed film and laminate.

Rewinding Type

- Center rewinding with single rewind shafts.

Unwinding Section

- Equipped with air-shafts (dia.3") making loading and unloading easier.
- Equipped with edge position control (EPC) to provide accurate film positioning.

Tension Control

- Equipped with automatic tension controller and load-cells. The actual tension is digitally displayed, increasing the tension control precision with minimal operation effort.

Inspecting Section

- Equipped with inspecting acrylic board and fluorescent lamps making inspecting easier.
- Static eliminating device equipped.
- Equipped with automatic counter which will stop the machine when reaching the pre-set length.

Rewinding Section

- Equipped with air-shafts (dia.3") making loading and unloading easier.
- Press-roller equipped with constant pressure control system.

Optional Accessories

- Reversible running (Standard equipment for RE-100R)
- Splicing table with suction device
- Inspecting camera with monitor
- 6" air chuck
- Trimming cutter with blower and expulsion tube
- Line position control (LPC)
- Trim rewinder

Other Optional Accessories



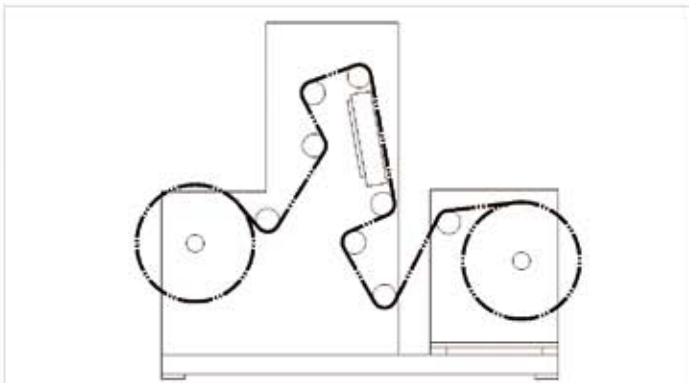
- LPC



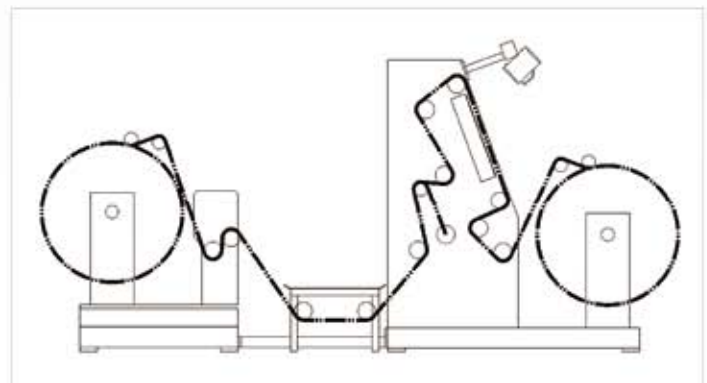
- Air Chuck



- Synchronizing stroboscope with photo sensor



	Net weight	Area required
REF-60R	1500 kg	L 1752 x W 1485 x H 1532 (mm)
Max. parentweb width	400-600 mm	
Max. parentweb diameter	500 mm	
Unwind/rewind core i.d.	3" (or as request)	
Max. machine speed	200/300 M/min.	



	Net weight	Area required
REF-200R	2300 kg	L 2565 x W 2720 x H 1760 (mm)
Max. parentweb width	1000~2000 mm	
Max. parentweb diameter	600/800/1000 mm	
Unwind/rewind core i.d.	3" (or as request)	
Max. rewind diameter	200 M/min.	